

WORLD  CLASS
CARGO
SECUREMENT
KEEPING PEOPLE **SAFE**
FOR **50** YEARS

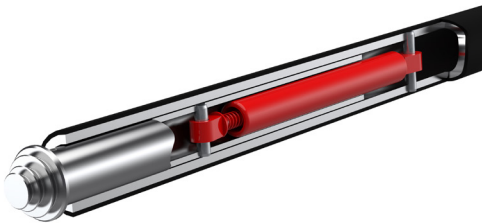
PEN-BEAM

WISTRA
CARGO CONTROL
THE HEICO COMPANIES

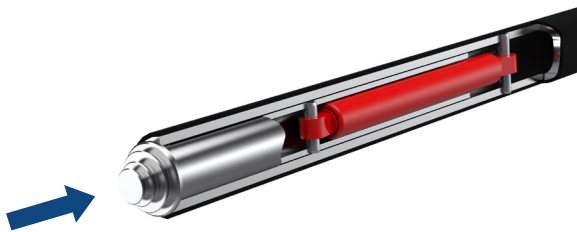
WISTRA PEN-BEAM made of aluminum or steel

Functionality

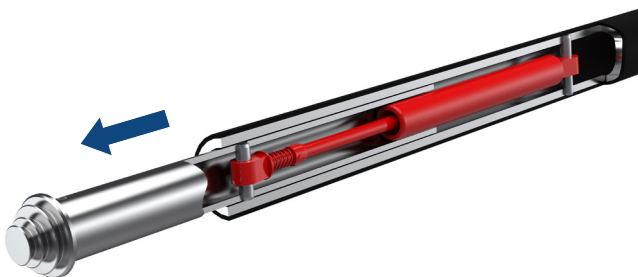
The **WISTRA PEN-BEAM** is equipped with an innovative gas pressure spring and defined pressure on the vehicle body over the entire telescope range. The special snap-in function in the telescopic tube is for ergonomic use. All PEN-BEAM variants can optionally be equipped with PVC coating. In addition, all versions can be customized according to the interior vehicle dimensions and the type of lashing track.



When retracted and locked the WISTRA PEN-BEAM is shorter than the inside dimensions of the vehicle and this enables an ergonomic use.



The WISTRA PEN-BEAM is unlocked by slight pressure on the telescopic tube.



The telescopic tube moves slowly into the lashing track and with constant pressure. This minimizes the risk of damage to the vehicle body.

WISTRA PEN-BEAM for heavy commercial vehicles



Technical specifications

- > steel version
- > 42 mm support tube diameter
- > pin version type 44 for 20/25/34 mm hole diameter
- > 500 daN BC blocking force with even surface load
- > for a vehicle interior dimension of 2,480 mm (+/- 25 mm)

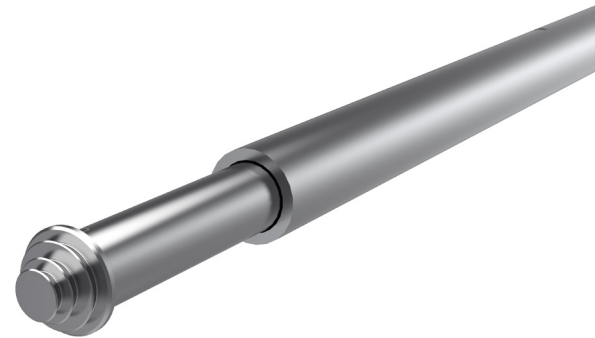
Items-Nr.: 221873004412-2480



Technical specifications

- > aluminum version
- > 42 mm support tube diameter
- > pin version type 44 for 20/25/34 mm hole diameter
- > 400 daN BC blocking force with even surface load
- > for a vehicle interior dimension of 2,480 mm (+/- 25 mm)

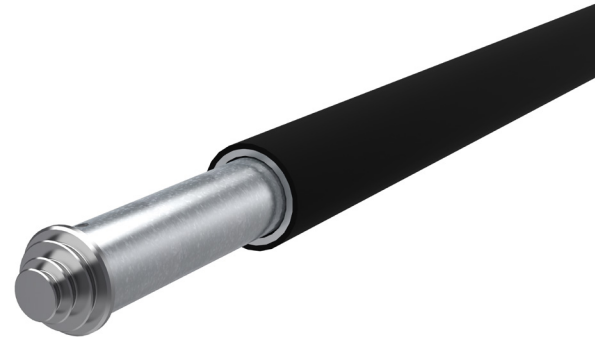
Items-Nr.: 221871004420-2480



Technical specifications

- > steel version with black PVC coating
- > 42 mm support tube diameter
- > pin version type 44 for 20/25/34 mm hole diameter
- > 500 daN BC blocking force with even surface load
- > for a vehicle interior dimension of 2,480 mm (+/- 25 mm)

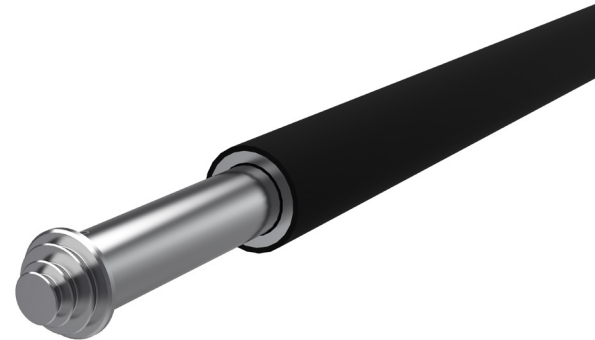
Items-Nr.: 221873004412Ü-2480



Technical specifications

- > aluminum version with black PVC coating
- > 42 mm support tube diameter
- > pin version type 44 for 20/25/34 mm hole diameter
- > 400 daN BC blocking force with even surface load
- > for a vehicle interior dimension of 2,480 mm (+/- 25 mm)

Items-Nr.: 221871004420Ü-2480



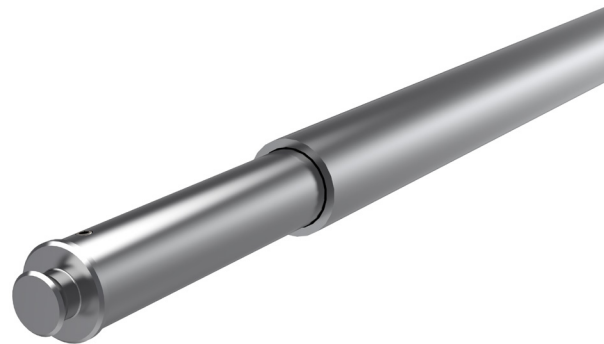
WISTRA PEN-BEAM for light commercial vehicles



Technical specifications

- > aluminum version
- > 35 mm support tube diameter
- > pin version type 09 for 20 mm round hole and airline lashing track
- > 150 daN BC blocking force with even surface load
- > version for shortening with enclosed end pin
- > for a vehicle interior dimension of 2,250 mm (+/- 25 mm)

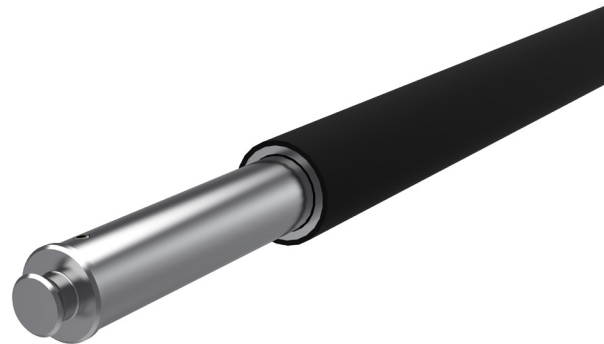
Items-Nr.: 221870020920-2250



Technical specifications

- > aluminum version
- > with black PVC cover
- > 35 mm support tube diameter
- > pin version type 09 for 20 mm round hole and airline lashing track
- > 150 daN BC blocking force with even surface load
- > version for shortening with enclosed end pin
- > for a vehicle interior dimension of 2,250 mm (+/- 25 mm)

Items-Nr.: 221870020920Ü-2250



WISTRA
CARGO CONTROL
THE HEICO COMPANIES

WISTRA GmbH
Cargo Control
An der Trave 11 • 23923 Selmsdorf
Phone: +49 (0) 388 23 / 258-0
Fax: +49 (0) 388 23 / 258-23
E-mail: info@wistra.eu

UAB "Wistra Cargo Control"
Pramones 8
LT-94102, Klaipeda
Tel.: +370 61024943
Tel.: +370 69565282
E-mail: masiule@wistra.eu

www.wistra.eu



You can also visit us on Facebook:
www.facebook.com/wistra.eu